

## Granit Line Bowl

Composite Sinks

Code: 1753 003



### DETAILS

Edge/Installation Type      Top-mount | Undermount

---

Material      Quartz composite

---

Coloring      Black

---

Base      60 cm

---

Width      53 cm

---

Dimensions      530 x 460 mm

---

Bowl dimension      500 x 400 mm

---

Built-in hole      [View technical data sheet](#)

---

Standard fittings      Fixing hooks, gasket, drain, overflow and siphon, boxed packing

---

Mixer holes No standard holes

---

Drainer No

---

Number of bowls 1 bowl

---

Waste fitting 3,5" drain

---

## FEATURES

---

**Small radius** Bowls with squared shapes with a modern design and an increased capacity, for a minimal aesthetics connected with an extreme practicality.

---

**Perimetral overflow** The overflow is always a security on the Foster sinks that prevents the overflow of water in case of oversights. The perimeter drain solution improves aesthetics thanks to its square and essential shape.

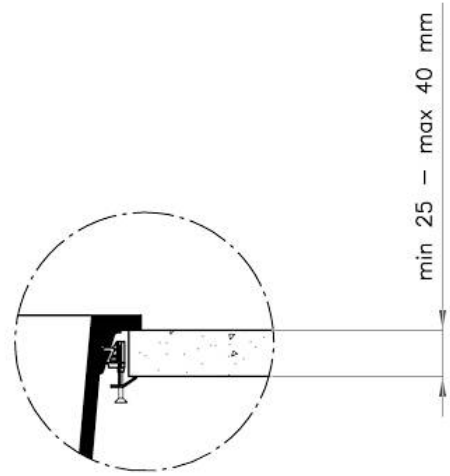
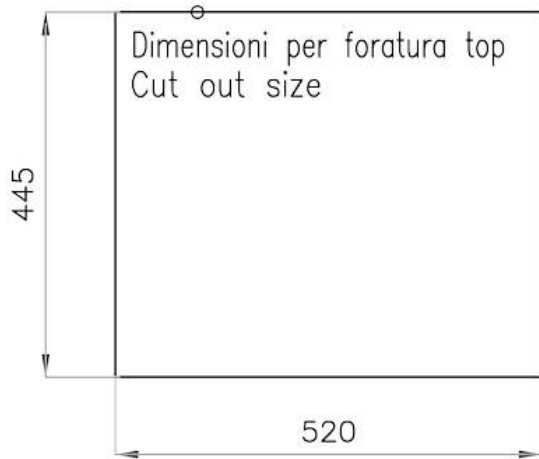
---

**Basket 3,5" waste fitting** The drain is equipped with a large 3.5" drain, with the practical basket cap that prevents the discharge of solid parts.

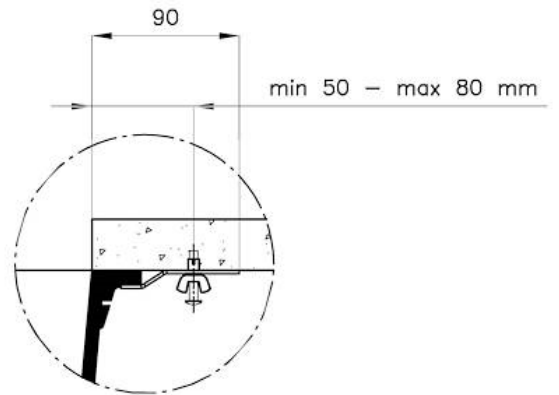
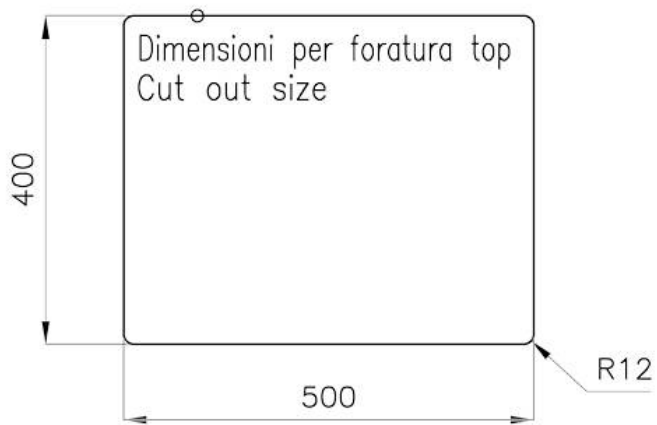
---

## TECHNICAL DATA

SOPRATOP / TOP-MOUNT



SOTTOTOP / UNDER-MOUNT



## OPTIONAL ACCESSORIES



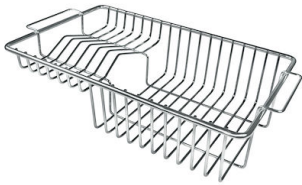
**Glass chopping board**  
8631 300



**HDPE Chopping board**  
8657 001



**Iroko-wood sliding chopping board  
with stainless steel colander**  
8644 044



**Stainless steel plate rack**  
8100 201



**White bowl**  
8153 100